



Refrigerator

CRU 164 NE

MAIN FEATURES

Product name	CRU 164 NE
Product code	34900601
EAN code	8016361965782
Type	built in
Category	Fridge
Product type	One door under top
Technology	Static ventilated
Display	No

TECHNICAL FEATURES

Connectivity	No
Multiflow column	No
Antibacterial function	No
Electricity (A)	<10
Frequency (Hz)	50
Number of compressors	1
Voltage (V)	220-240
Type of defrost in the refrigerator	Automatic
Type of defrost in the freezer	Manual
Condenser	-
Chiller - Fresh zone	No

Gaskets	Removable
Approval certificates	CE + IMQ
Plug type	Schuko
	DISPLAY
Lock function	No
Adjustable temperature	Fridge
Control Panel	mechanical thermostat with led
Position of the control panel	Internal control panel
Open door indicator - refrigerator	-
Super Cooling function	No
Super Freezing function	No
Smart Cool function	No
Holiday function	No
	EASTHETICS
Colour	Whiteo
Hinge	On the right
Ice maker	No
Refrigerator compartment internal fan	No
Light	Standard
Shelves material	Glass
Number of adjustable shelves in the refrigerator compartment	3
Drawers in the freezer	0
Handles	-
Door small balconies finish	-
Reversible door	Si
Telescopic guides	-
Shelves for bottles	No
Total small balconies	2
Material/colour small banconies of the counter door	Transparent

Shelf finishes	White profile
Bottle holder	-
Drawers for fruit and vegetable	2
Small bowls for eggs	1 transparent
Space for ice	1 transparent

**PERFORMANCE AND
CONSUMPTION**

Climatic class	-
Class of energy efficiency	A+
Fridge, gross volume (l) lorda del	
Freezer, gross volume (l)	
Frosting class	4
Total net volume (l)	111
Energy consumption (kWh)	0,474
Noise dB(A)	40
Annual energy consumption (Kwh)	173
Fridge: net volume (l)	95
Freezer: net volume (l) ****	16
Volume, frosting (kg)	2
Storage autonomy without electricity (h)	10

DIMENSIONS

Depth (mm)	550
Gross weight (kg)	35,5
Net weight (kg)	32
Width (mm)	596
Height (mm)	820



SMART
INSTALLATION



CM 60



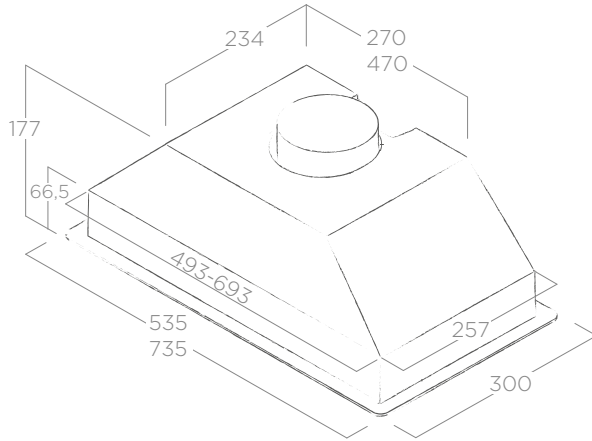
CM 65



ENERGY
CLASS

SCHEDA TECNICA TECHNICAL FEATURES

Misure Size	60 - 80 cm
Versione Version	Aspirante Duct-out
Finiture Finish	Silver Silver



ILLUMINAZIONE LIGHTING

Tipo Type	LED 3 W
Intensità Intensity	73 LUX
Temperatura Temperature	2700 K

PERFORMANCE PERFORMANCE

Comandi Controls	Slider 3V 3S Slider
Portata massima Max airflow	220 m ³ /h
Livello sonoro Noise level	54 db(A)
Assorbimento totale Total absorption	90 W
Uscita Duct size	120 mm
Classe energetica Energy class	C (A++/E)
Filtro grassi alluminio incluso Grease aluminium filter included	

ACCESSORI ACCESSORIES

Filtro carbone Charcoal Filter	CFC0141571
--------------------------------	------------

MODELLI MODELS

ERA GR/A/60	PRF0142633
ERA GR/A/80	PRF0142701



BUILT-IN

BUILT-IN



PLATE HOB

CDE32/1X

CARATTERISTICHE PRINCIPALI

NAME OF THE PRODUCT/ NOM DU PRODUIT	CDE32/1X
CODE	33801125
CODE EAN	8016361856738
TYPE :	ELECTRIC/ELECTRIQUE
Zones	2
TECHNICAL FEATURES/CARACTERISTIQUES TECHNIQUES	
V	230
ELECTRIC TIMER/ELECTRONIQE TIMER	No

	ESTETICA
Colour/coloris	Inox
Material	Inox plate
Handle colour/coloris de la poignée	Inox
Command devices/dispositif commande	Handles/Poignée
Grid/grille	Absent
LID/COUVERCLE	-
	PERFORMANCE
1° ZONE (W)	1500
2° ZONE (W)	1500

DIMENSIONS 270x494x50

	290
Dimensions(mm)	288x510x45
Net weight/poids net (kg)	5
Gross weight/poids brut (kg)	6

Inductie kookplaat 2 zones

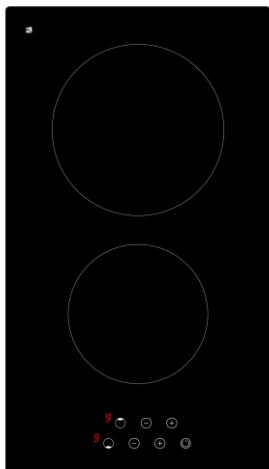


Verbruik: 3,7 kw (1 zone 2 kw, 1 ring 1,7 kw)

Met touch screen

Afmetingen: 29 x 51 cm

Gewicht: 6 kg

Hob**HI-LIGHT****BTE 320**

COOKING ZONES			3,000 W
Position Rear	Rear Left	Rear Center	Rear Right
Dimension (mm)		180	
Power (W)		1800	
Position Front	Front Left	Front Center	Front Right
Dimension (mm)		145	
Power (W)		1200	
Bridge Function		no	

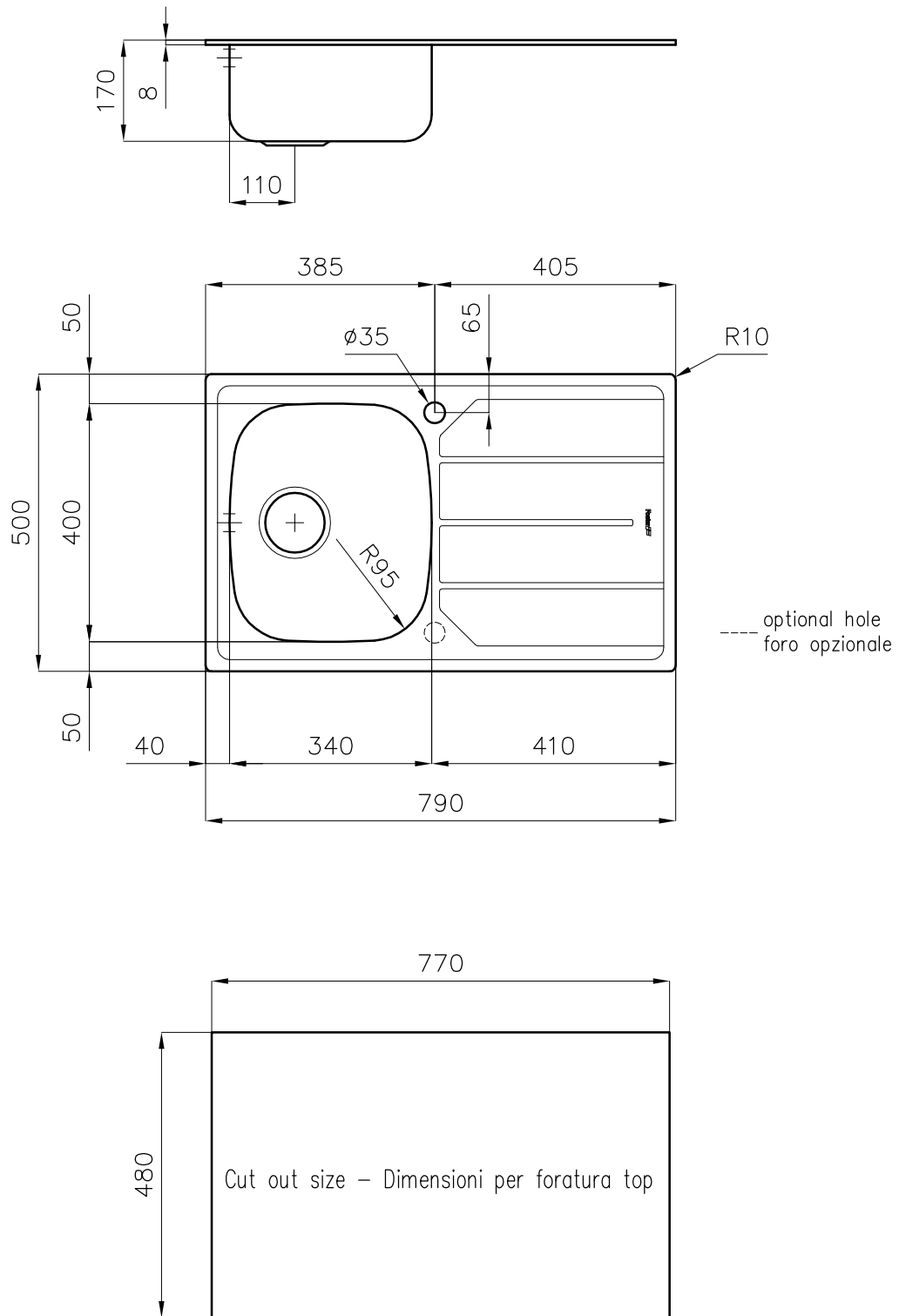
Glass size	Cut size
290x510	270x290

Control	Touch
Power Levels	9
Timer	Yes
Child Lock	yes
Residual Heat	Yes
Overflow Device	Yes
Automatic Stop	Yes
PMS	no
Voltage V	220-240
Frequency HZ	50-60

Packaging Dimensions (LxWxD)	590x380x130
Net / Gross Weigth (kg)	3,9/4,6
Units on pallet	60

LED colour	red
Glass	black
Frame	

- * = 0 Reversibile – Reversible
- * = 1 Vasca a destra – Right bowl
- * = 2 Vasca a sinistra – Left bowl



sink thickness/spessore acciaio 0.7