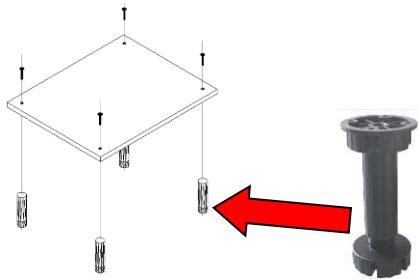


MINIKITCHEN
CM. 127.6 K 102
CM. 112.6 K 142

INSTRUCTIONS FOR MOUNTING

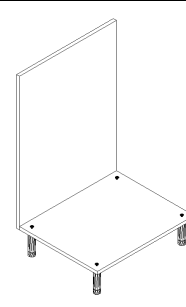
OCTOBER 2016



01

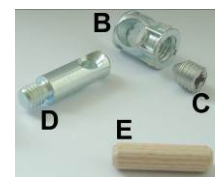
BASE MOUNTING

MOUNT THE ADJUSTABLE FEET UNDER THE BASE FIXING THEM WITH THE PROVIDED SCREWS

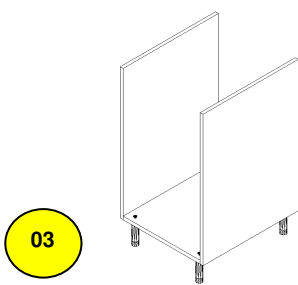


02

FIX THE LEFT SIDE TO THE BASE USING THE PROVIDED HARDWARE

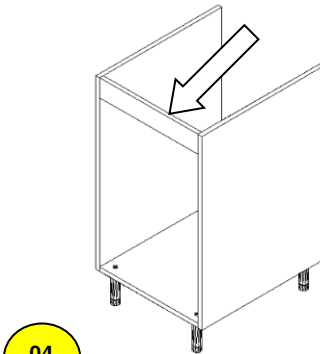


HARDWARE FOR JUNCTIONS
B = BARREL BOLTS
D = PIN FOR BARREL BOLTS
E = WOODEN PLUGS
C = GRUB SCREW



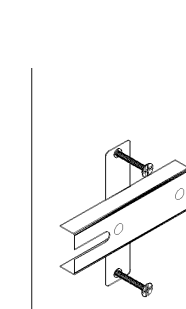
03

FIX THE RIGHT SIDE AS THE LEFT AT POINT 02



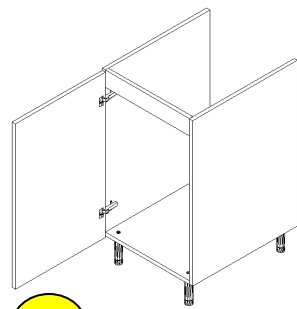
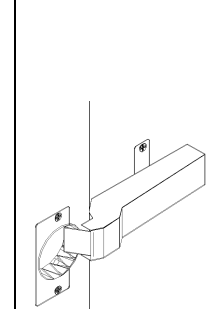
04

USING THE PROVIDED HARDWARE, FIX THE LITTLE FRONTAL UPPER BAND TO THE SIDES



05

MOUNT THE BASES ON THE SIDE OF THE ELEMENT, AND THE HINGES ON THE DOOR

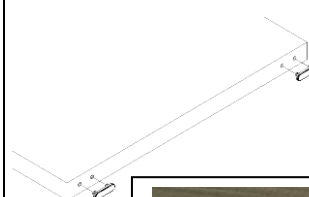


06

FIX THE DOOR TO THE SIDE INSERTING THE HINGES ON THE PLATES

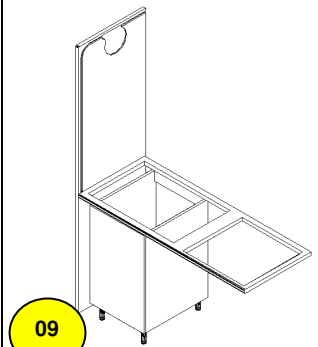
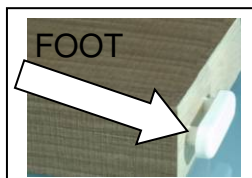
07

MOUNT THE 2ND BASE (IF PROVIDED) FOLLOWING POINTS FROM 1 TO 6



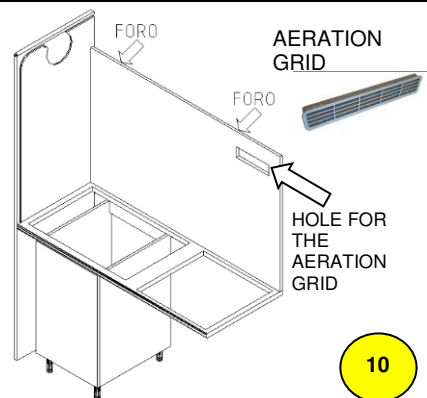
08

FIX THE TWO PLASTIC FEET ON EACH SIDE OF THE KITCHEN. THERE ARE PRE-HOLES ALREADY FIXED BUT COVERED FROM A SHEET COVERING.



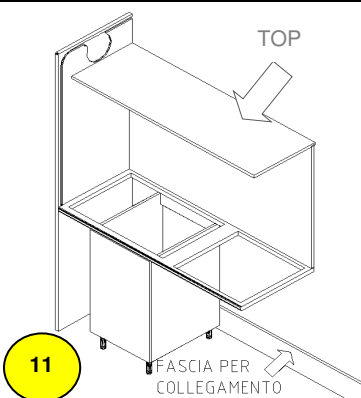
09

PUT THE WORKING TOP ON THE MOUNTED BASE AND FIX IT TO THE LEFT SIDE



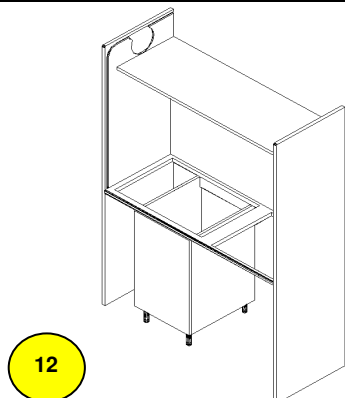
10

MOUNT THE BACK AND LEAVE THE TWO HOLES ON THE TOP OF THE BACK (THEY ARE VISIBLE ON BACK) ON THE SUPERIOR PART



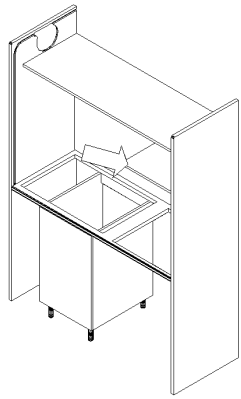
11

MOUNT THE TOP FIXING IT TO THE SIDE AND TO THE BACK, USING THE PROVIDED HARDWARE- MOUNT THEN THE CONNECTION BAND FOR THE SIDES FIXING IT AT THE BOTTOM ON THE BACK OF THE SIDE



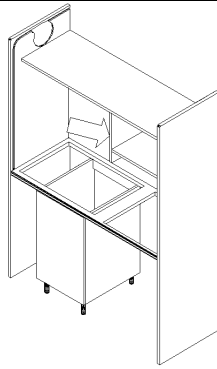
12

MOUNT THE RIGHT BACK FIXING IT TO THE SUPERIOR TOP AND TO THE WORKING TOP USING THE PROVIDED HARDWARE
AT THIS POINT YOU CAN INSERT THE 2ND BASE UNDER THE WORKING TOP (IF PROVIDED)



13

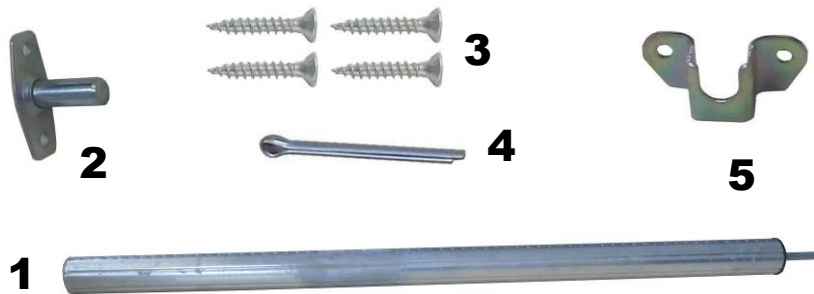
FIX TO THE SIDE THE SHELF FOR THE HOOD



14

MOUNT THE VERTICAL ELEMENT FIXING IT TO THE TOP OF THE KITCHEN AND TO THE SIDE OF THE HOOD

HARDWARE FOR MOUNTING THE WINDER TUBE



1 WINDER TUBE
2 PLATE WITH PIN
3 TROUGH SCREWS

4 STOP PIN
5 PLATE WITH HOLE



15

RIGHT SIDE

FIX WITH THE PROVIDED HARDWARE, THE **PLATE WITH HOLE**, OVER THE TOP OF THE ELEMENT, LIKE SHOWN IN THE PICTURE

THE POSITION IS INDICATED FOLLOWING THE PRE-HOLES ALREADY MADE ON THE SIDE



16

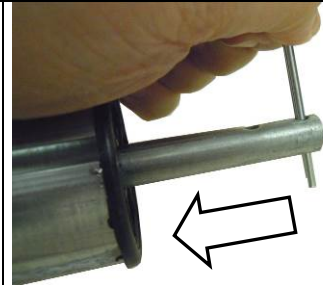
LEFT SIDE

FIX THE **PLATE WITH PIN** AS SHOWN ON THE PICTURE, THE POSITION IS INDICATED FOLLOWING THE PRE-HOLES ALREADY MADE ON THE SIDE



17

INSERT THE **WINDER TUBE** INSIDE THE **PLATE WITH PIN** PREVIOUSLY MOUNTED ON THE LEFT SIDE



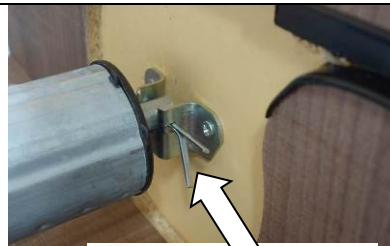
18

ON THE OTHER SIDE, INSERT A SCREWDRIVER INSIDE THE HOLE OF THE PIN AND PUSH IT INSIDE THE WINDER TUBE, LIKE SHOWN IN THE PICTURE



19

INSERT THE PIN OF THE WINDER TUBE ON THE HOLE OF THE PLATE, PREVIOUSLY MOUNTED ON THE RIGHT SIDE OF THE MINIKITCHEN

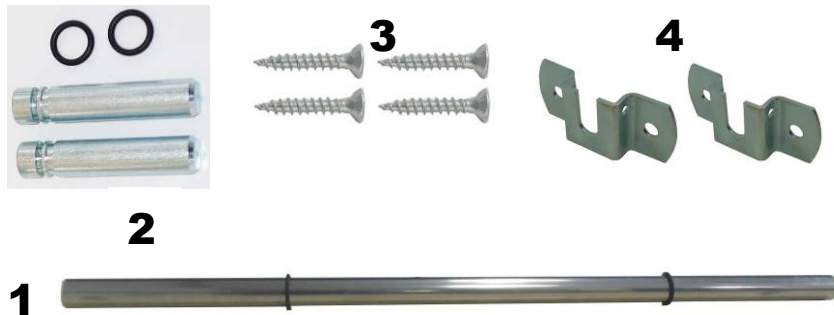


20

MAKE SURE THAT THE FIRST HOLE OF THE WINDER TUBE IS CORRESPONDING TO THE TWO HOLES OF THE **PLATE WITH HOLE** AND PUT INSIDE THE PIN TO STOP ALL, AS SHOWN IN THE PICTURE

FOLLOW WITH MOUNTING OF THE NOT FLEXING TUBE

HARDWARE FOR THE MOUNTING OF THE NOT FLEXING TUBE



21

ON BOTH PINS YOU HAVE TO INSERT THE TWO CIRCLE RUBBERS INSIDE THE GROOVES, AS SHOWN ON THE PICTURE

1 NOT FLEXING TUBE
2 PINS AND RUBBERS FOR THE TUBE

3 THROUGH SCREWS
4 PLATES WITH HOLE



22

LEFT SIDE

FIX THE **PLATE WITH HOLE** LIKE SHOWN IN THE PICTURE
ITS POSITION IS INDICATED FROM THE PRE-HOLES MADE ON THE SIDE

MAKE THIS OPERATION ALSO ON THE RIGHT SIDE



23

INSERT THE TWO PINS AND RUBBERS ON THE TWO SIDES OF THE NO FLEXING TUBE



24

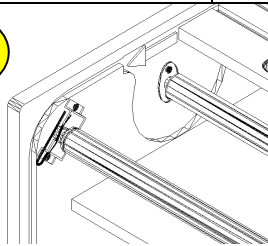
MOUNT THE NO FLEXING TUBE INSERTING THE TWO PINS ON THE PLATES WITH HOLE FIXED ON THE TWO SIDES

25



INSERT FROM THE BACKSIDE OF THE MINIKITCHEN, THE ROLLING SHUTTER INSIDE THE GUIDES THAT ARE ALREADY MADE ON THE SIDES AND LET IT SCROLL TO THE FRONTAL PART OF THE MINIKITCHEN

26



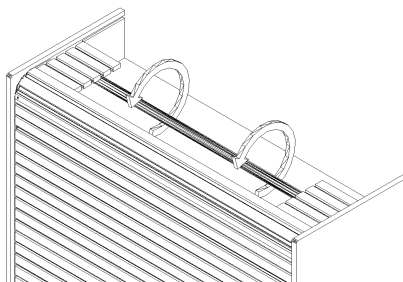
CONTINUE INSERTING THE ROLLING SHUTTER BEING CAREFUL TO THE POINT SHOWN WITH THE ARROW

27



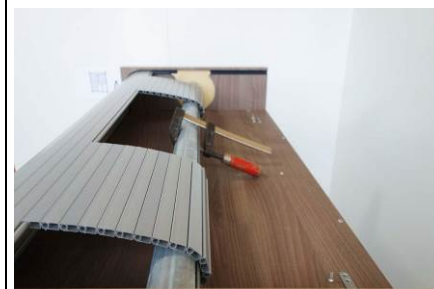
28

LET THE ROLLING SHUTTER SCROLL ON THE FRONT PART OF THE MINIKITCHEN AND CLOSE IT COMPLETELY



29

WIND UP THE SPRING OF THE MAIN REEL (IT WILL HAVE TO MAKE 7 TURNS TO THE DIRECTION INDICATED BY THE ARROWS) (**pay attention to not to unload the spring when accomplishing following operations**)



30

BLOCK THE WINDER TUBE WITH A CLAMP, IN THIS WAY YOU AVOID THE UNLOAD OF THE SPRING. PUT BOTH SIDES OF THE ROLLING SHUTTER ON THE WINDER TUBE AS SHOWN ON THE PICTURE



31



32

PUT THE METAL PLATE OVER ONE OF THE TWO TAILS OF THE ROLLING SHUTTER, THEN WITH TWO THOUGH SCREWS FIX THE ROLLING SHUTTER TO THE WINDER TUBE. (MAKE THE SAME OPERATION ON THE OTHER TAIL OF THE ROLLING SHUTTER)

MOUNTING OF THE SINK

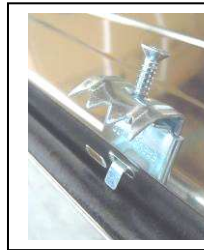


1

1 SINK
2 HOOKS TO FIX THE COUNTER TOP



2

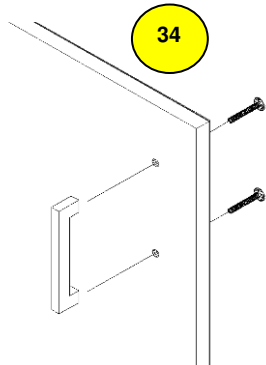


3



4

PUT THE SINK ON THE COUNTER TOP HOLE, INSERT THE HOOKS UNDER THE SINK ON THEIR HOLES (fig. 3), THEN YOU CAN SCREW THEM UNDER THE TOP (fig.4) IN ORDER TO LET THEM JOIN UNIFORMLY, THE GASKET OF THE SINK TOGETHER WITH THE COUNTER TOP **AFTER THE SINK, MOUNT ALSO THE HOB (YOU WILL FIND SPECIFIC INSTRUCTIONS FOR THIS INSIDE ITS BOX)**



34

FIX THE HANDLE TO THE WOODEN DOOR OF THE FRIDGE AND TO THE OTHER BASES BY USING THE PROVIDED HARDWARE.



35

PLATE TO FIX THE DOOR



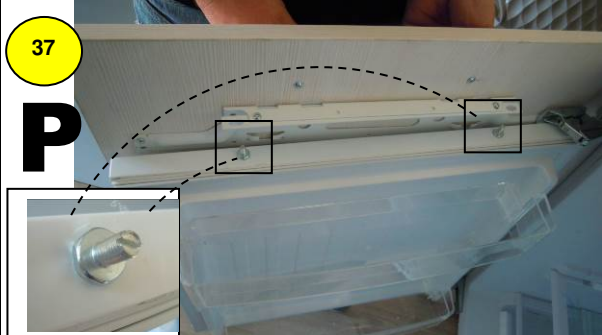
INSERT THE FRIDGE WITHOUT LIFTING TOO MUCH THE ADJUSTABLE FEET. PLACE IT IN THE PROPER BASE. TAKE THE MEASURES OF THE LATERAL HOLES ON THE PLATE TO FIX THE DOOR. FROM UNDER THE WORKING TOP, FROM THE LATERAL SIDE AND FROM THE LATERAL BASES



36

PLATE TO FIX THE DOOR

DISASSEMBLE THE PLATE OF THE FRIDGE, TAKE THE MEASURE OF THE HOLES INTERNALLY AND FIX THE PALTE BY USING THE SELF TAPPING SCREWS

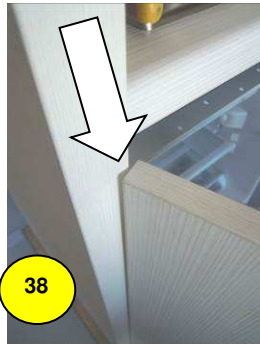


37

P

FIX AGAIN THE PLATE (AND ALSO THE DOOR WHERE IT IS FIXED), ON THE FRIDGE DOOR BY USING THE "P" PINS. TIGHTEN THE BOLT (NOT COMPLETELY) IN ORDER TO ADJUST IT BOTH HORIZONTALLY AND VERTICALLY.

FIX THE POSITION OF THE FRIDGE TAKING INTO CONSIDERATION THE LATERAL BASE AND TIGHTENING THE SCREWS TO ADJUST THE PLATE. IT'S IMPORTANT YOU FIND THE RIGHT POSITION SO THAT THE DOOR OF THE FRIDGE IS IN THE RIGHT LINE.



PLEASE BE CAREFUL: WHEN YOU OPEN THE WOODEN DOOR OF THE FRIDGE, IT DOESN'T HAVE TO GO AGAINST THE SIDE OF THE MINI KITCHEN

LEAVE THE NECESSARY GAP TO PREVENT THE DOOR GOES AGAINST THE SIDE WHILE OPENING



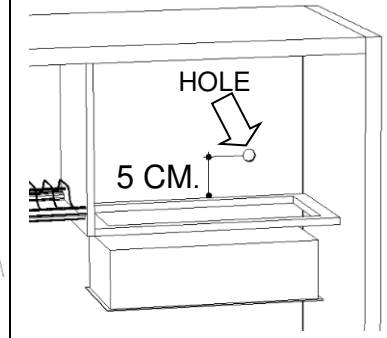
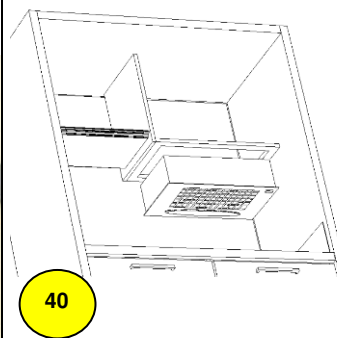
FIX THE WOODEN DOOR TO THE FRODGE DOOR BY USING SELF TAPPING SCREWS AND TWO L SHAPE PLATES IN THE LOWER PART OF THE DOOR (PIC. 1) (1)

FIX THE FRIDGE TO THE STRUCTURE OF THE KITCHEN ON THE TWO HINGES (PIC. 2) (2)

AND ON THE L SHAPE PLATE BETWEEN THE UPPER PART OF THE FRIDGE AND THE SIDE OF THE BASE (PIC. 3) (3)



MOUNTING OF THE HOOD



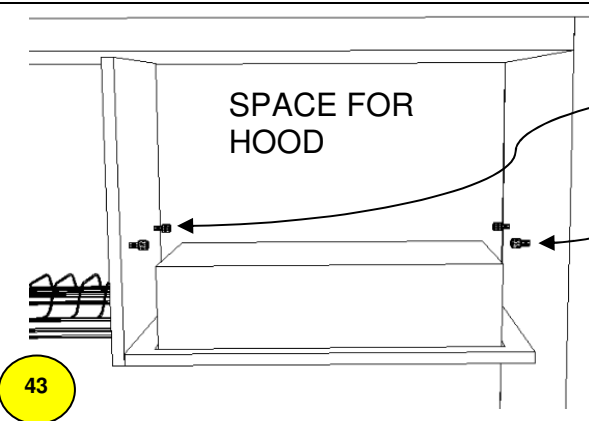
INSERT THE HOOD INSIDE THE SPACE ON THE SHELF, FROM THE BOTTOM SIDE LIKE SHOWN IN THE PICTURE. BEFORE FIXING THE HOOD, MAKE A THROUGH HOLE ON THE BACK OF THE MINIKITCHEN OF ABOUT DIAM.10MM, 5 CM HIGHER THAN THE SHELF, FOR THE PASSAGE OF THE POWER CABLE OF THE HOOD.



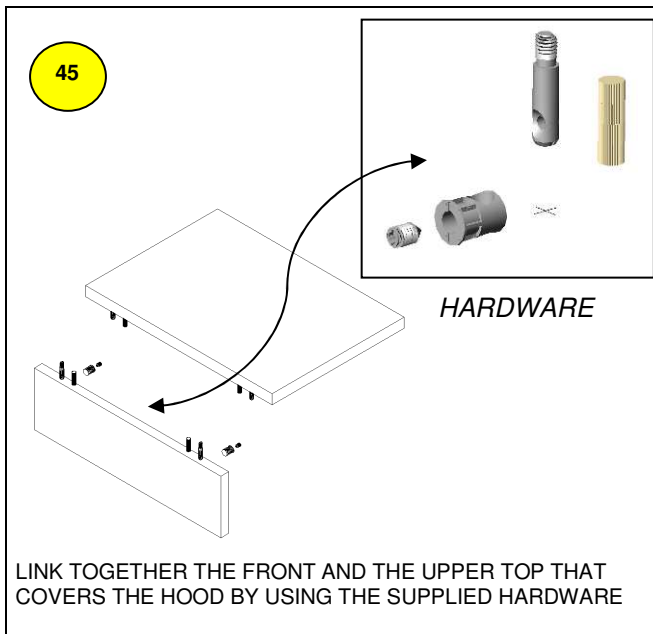
OPEN THE HOOD IN ORDER TO ACCESS TO THE HOLES FOR THE FIXING ON THE SHELF



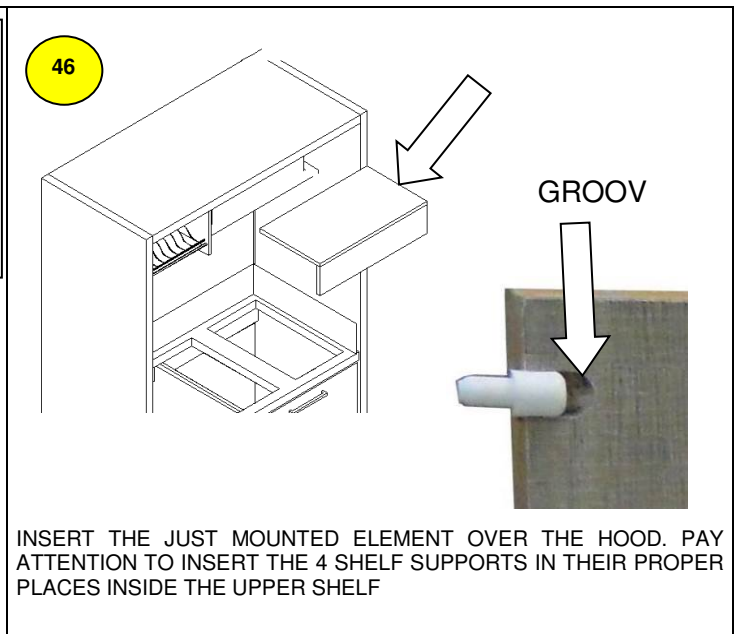
FIX THE HOOD TO THE SHELF WITH 4 THROUGH SCREWES, LONG 16 MM



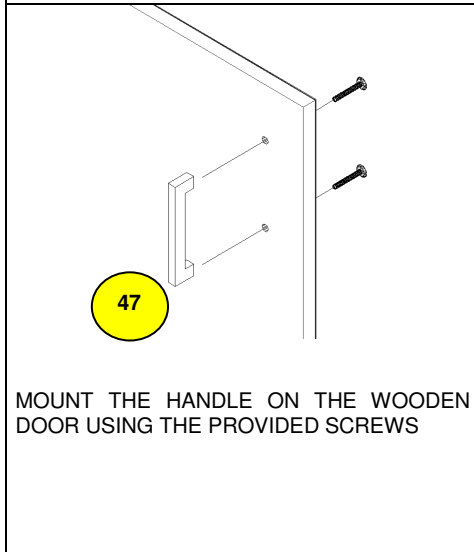
FIX THE 4 HANGING-SHELVES ON THE SIDES INSIDE THE SPACE OF THE HOOD, ON THE PREFIXED HOLES ALREADY MADE.



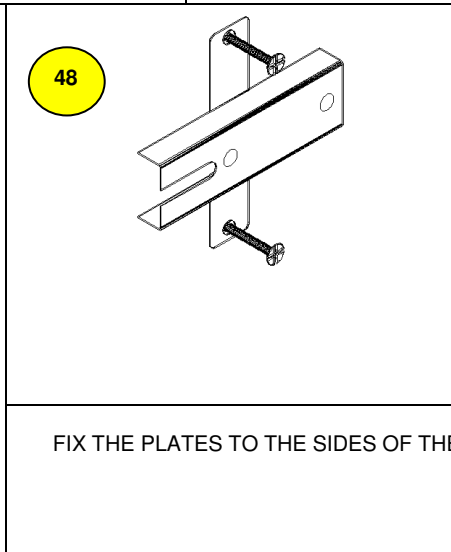
LINK TOGETHER THE FRONT AND THE UPPER TOP THAT COVERS THE HOOD BY USING THE SUPPLIED HARDWARE



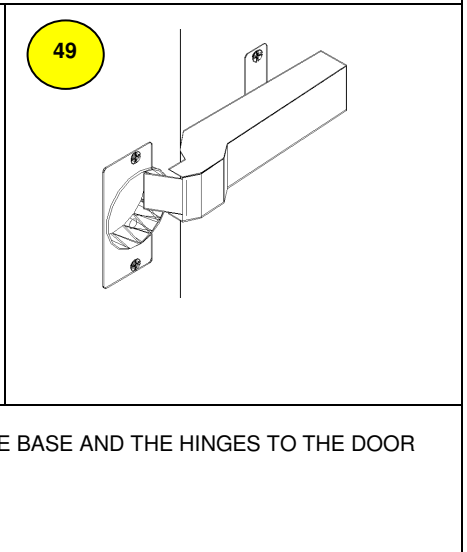
INSERT THE JUST MOUNTED ELEMENT OVER THE HOOD. PAY ATTENTION TO INSERT THE 4 SHELF SUPPORTS IN THEIR PROPER PLACES INSIDE THE UPPER SHELF



MOUNT THE HANDLE ON THE WOODEN DOOR USING THE PROVIDED SCREWS

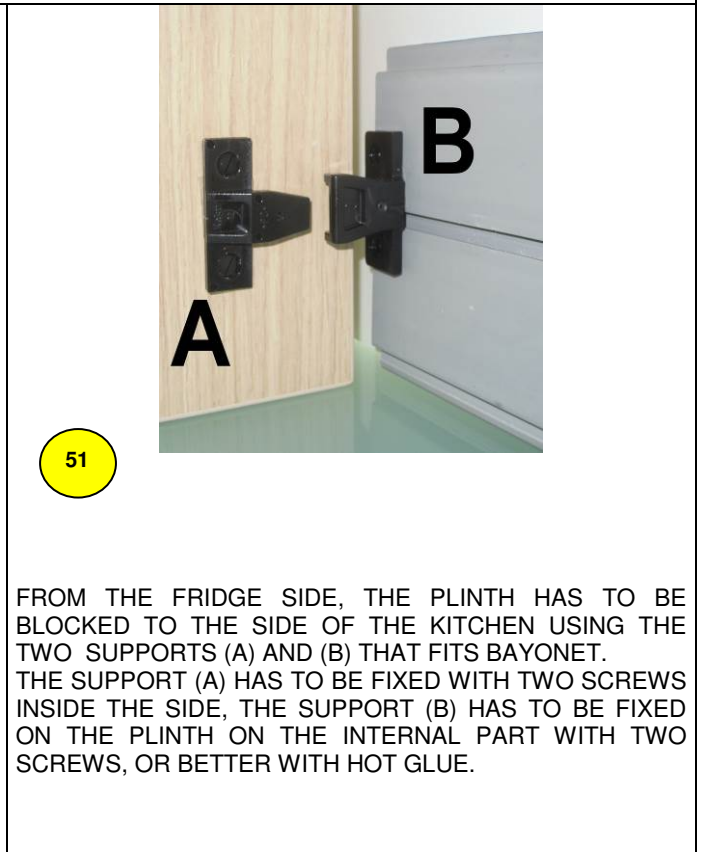


FIX THE PLATES TO THE SIDES OF THE BASE AND THE HINGES TO THE DOOR

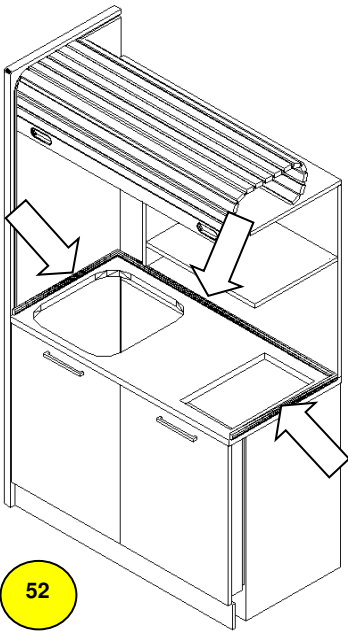


JOIN TOGETHER THE BASES FIXING THEM WITH THE SELFTAPPING SCREWS IN THE SIDES. JOIN THE BASES TO THE SIDED OF THE MINIKITCHEN.

MOUNT THE PLINTH, HOOKING IT TO THE ADJUSTABLE FEET

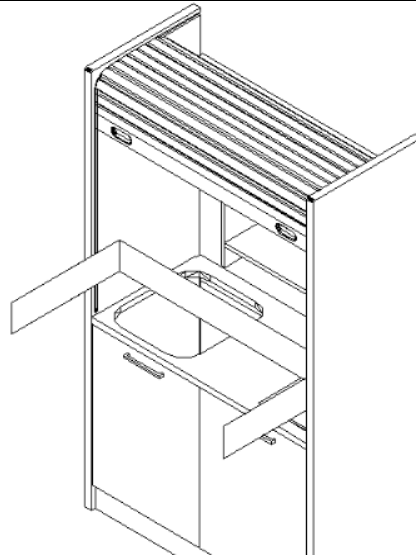


FROM THE FRIDGE SIDE, THE PLINTH HAS TO BE BLOCKED TO THE SIDE OF THE KITCHEN USING THE TWO SUPPORTS (A) AND (B) THAT FITS BAYONET. THE SUPPORT (A) HAS TO BE FIXED WITH TWO SCREWS INSIDE THE SIDE, THE SUPPORT (B) HAS TO BE FIXED ON THE PLINTH ON THE INTERNAL PART WITH TWO SCREWS, OR BETTER WITH HOT GLUE.



52

PUT SILICON ON ALLE THE PERIMETER OF THE KITCHEN, ON THE THREE SIDES OF THE WORKING TOP LIKE SHOWN IN THIS PICTURE



53

INSERT THE STAINLESS STEEL PROTECTION AND PUT ALL AROUND THE SILICON ON ALL THE SURFACE IN CONTACT WITH BACK AND SIDES OF THE UNIT



MOUNT ALL THE INTERNAL ACCESSORIES, COOKER, PLATE DRANER, MIXING TAP, SIPHON, DUST BIN AND LADLE BOARD IF PRESENT.

MAKE ALL WASTE, WATER AND ELECTRICAL CONNECTIONS.

THE MINIKITCHEN IS READY TO BE USED