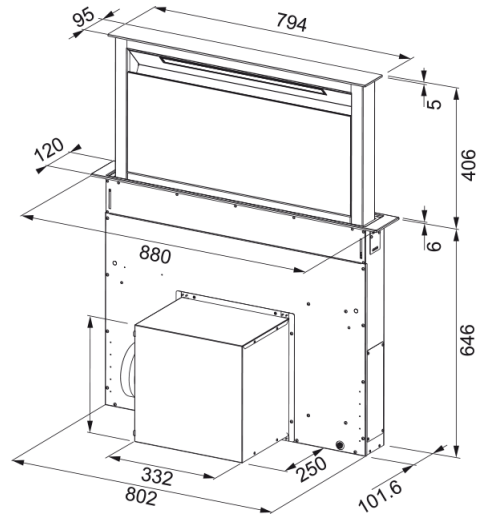


# Downdraft FDW 908 IB XS Black Glass | 110.0365.588



## Technical Data

### Product Information

Hood category	Dawn draft
Finish	Black

### Dimensions

Width in mm	900.0
Diam. air outlet	150

### Energy specifications

Plug type	EU
Annual energy consumption AEC	61.3
F. dynamic efficiency class	B
Light Efficiency Class	A
Grease filtering efficiency cl	D
Motor voltage	220-240V 50-60Hz
Motor Gr comm.name	Energy 800 PLUS
Number of motor	1

### Installation

Installation	Worktop
--------------	---------

### Performance

Speed	1
Flow (m <sup>3</sup> h)	160.0
Press. max	140.0
Watt	65.0
Noise level (db)	38.0
Speed	2
Flow (m <sup>3</sup> h)	280.0
Press. max	450.0
Watt	115.0
Noise level (db)	49.0

## Features

Speed	3
Flow (m³h)	340.0
Press. max	520.0
Watt	150.0
Noise level (db)	52.0
Speed	4
Flow (m³h)	420.0
Press. max	530.0
Watt	190.0
Noise level (db)	57.0
Speed	BOOST
Flow (m³h)	670.0
Press. max	540.0
Watt	270.0
Noise level (db)	69.0
Capac_IEC_inten	670.0
Capacity IEC max	420.0
Capac_IEC_min	160.0
Noiselevel intensive	69.0
Noiselevel max	57.0
Noiselevel min	38.0
<b>Product specifications</b>	
Air quality sensor	No
Energy efficiency class	B
<b>Article Number</b>	
Product brand	FRANKE
Product family	Mythos
Model range	DOWN
<b>Properties</b>	
Number of lamp	1
Lamp type	Led Bar Velo 2700K
Remote control	No
Waterproof	No
UI Type	Touch capacitive
Speed number	See setting file
Speed setting	4+i
24h	No
Delay	Yes 30'
Sensor self start	No
WI-FI	No
Filter typology	Cassette
Type of filter	Aluminium
Charcoal filter	No

