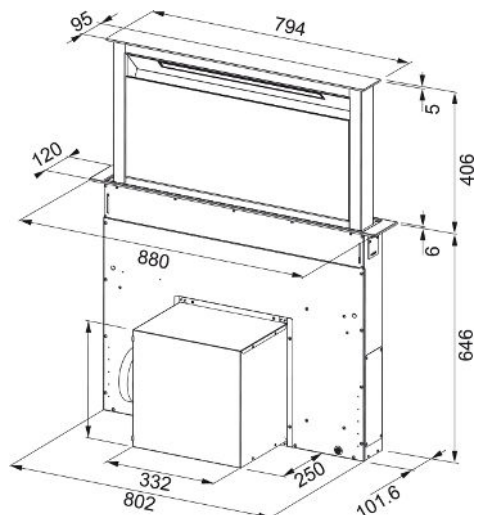


Downdraft FDW 908 IB XS Black Glass | 110.0365.588



Technical Data

Product Information

Hood category	Dawn draft
Finish	Black

Dimensions

Width in mm	900.0
Diam. air outlet	150

Energy specifications

Plug type	EU
Annual energy consumption AEC	61.3
F. dynamic efficiency class	B
Light Efficiency Class	A
Grease filtering efficiency cl	D
Motor voltage	220-240V 50-60Hz
Motor Gr comm.name	Energy 800 PLUS
Number of motor	1

Installation

Installation	Worktop
--------------	---------

Performance

Speed	1
Flow (m ³ h)	160.0
Press. max	140.0
Watt	65.0
Noise level (db)	38.0
Speed	2
Flow (m ³ h)	280.0
Press. max	450.0
Watt	115.0
Noise level (db)	49.0

Features

Speed	3
Flow (m ³ h)	340.0
Press. max	520.0
Watt	150.0
Noise level (db)	52.0
Speed	4
Flow (m ³ h)	420.0
Press. max	530.0
Watt	190.0
Noise level (db)	57.0
Speed	BOOST
Flow (m ³ h)	670.0
Press. max	540.0
Watt	270.0
Noise level (db)	69.0
Capac_IEC_inten	670.0
Capacity IEC max	420.0
Capac_IEC_min	160.0
Noiselevel intensive	69.0
Noiselevel max	57.0
Noiselevel min	38.0
Product specifications	
Air quality sensor	No
Energy efficiency class	B
Article Number	
Product brand	FRANKE
Product family	Mythos
Model range	DOWN
Properties	
Number of lamp	1
Lamp type	Led Bar Velo 2700K
Remote control	No
Waterproof	No
UI Type	Touch capacitive
Speed number	See setting file
Speed setting	4+i
24h	No
Delay	Yes 30'
Sensor self start	No
WI-FI	No
Filter typology	Cassette
Type of filter	Aluminium
Charcoal filter	No

